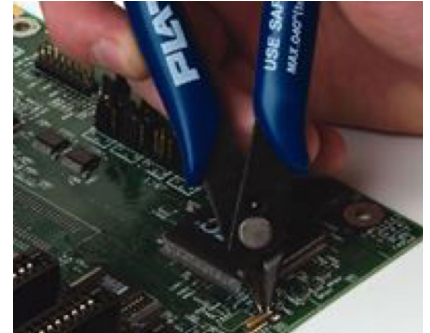


## Platoshear Cutter

Product#170, 170SD, 175

Precise, reliable cutting action at an economical price. Thin Profile handle and light weight design is ideal for smaller hands.

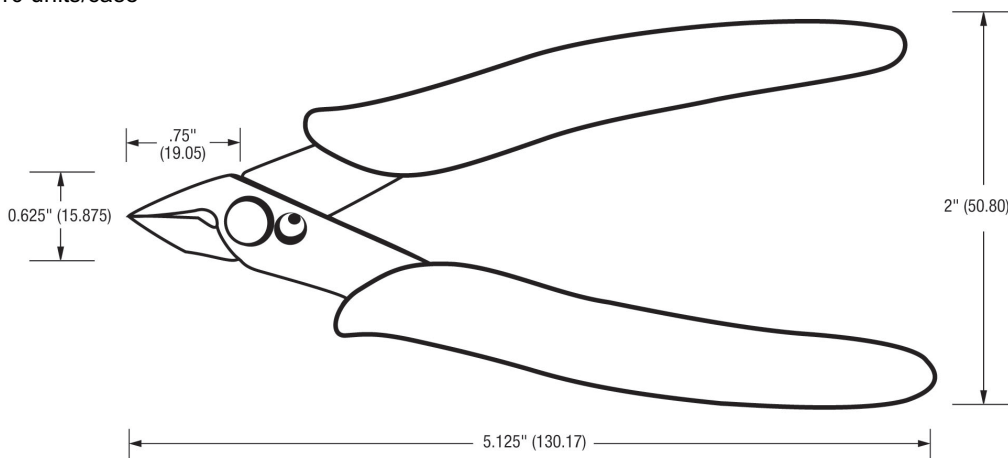
- Cut up to 18 AWG copper wire (.04"/1mm)
- Economical, disposable cutter
- Thin blade profile for trimming in tight areas
- Ergonomic handle design
- Spring-back action



### Product Dimensions

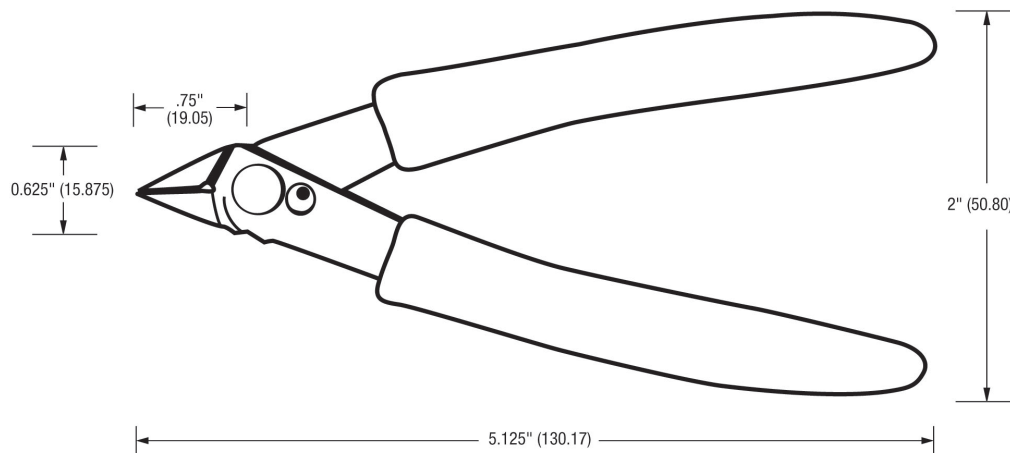
#### 170 Platoshear Cutter

10 units/case



#### 170SD Platoshear Cutter – EDS-Safe

10 units/case

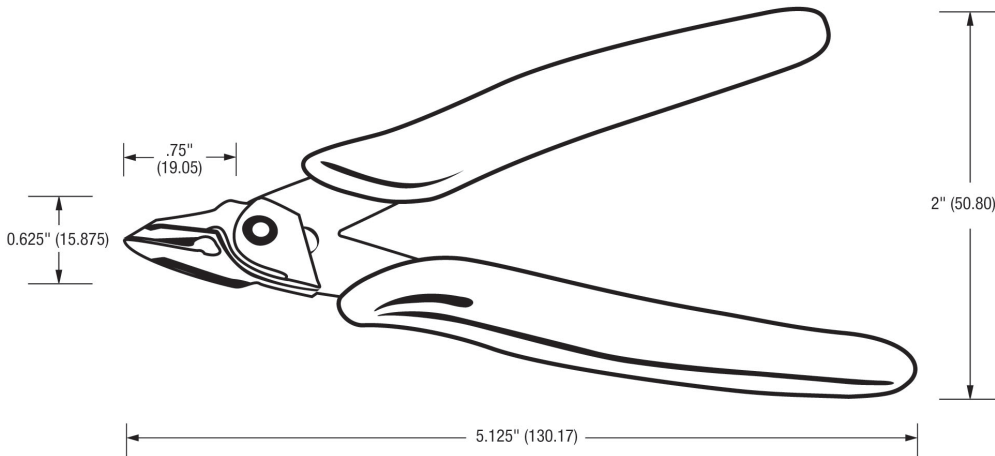


# Platoshear Cutter

Product#170, 170SD, 175

## Product Dimensions

### 175 Platoshear Cutter – EDS-Safe & w/Safety Guard



## Environmental Policy

We are committed to developing products to ensure a safer and cleaner environment. We will continue to meet and sustain the regulations of all federal, state and local government agencies.

## Resources

Plato products are supported by a global sales, technical and customer services resources.

For additional technical information on these products or other Plato products in the United States, call the technical sales department at 800-858-4043, email [info@platoproducts.com](mailto:info@platoproducts.com) or visit our web site at: [www.platoproducts.com](http://www.platoproducts.com).

**Important Notice to Purchaser/User:** The information in this publication is based on tests that we believe are reliable. The results may vary due to differences in tests type and conditions. We recommend that each user evaluate the product to determine its suitability for the intended application. Conditions of use are outside our control and vary widely. Our only obligation and your only solution is replacement of product that is shown to be defective when you receive it. In no case will we be liable for any special, incidental, or consequential damages based on breach of warranty, negligence or any other theory.